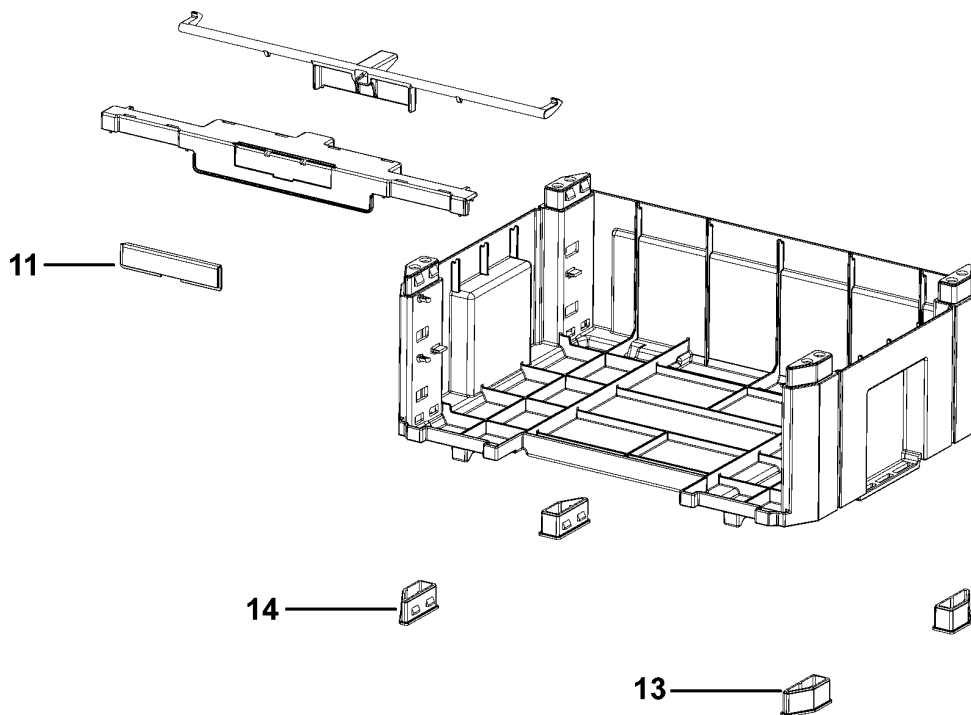
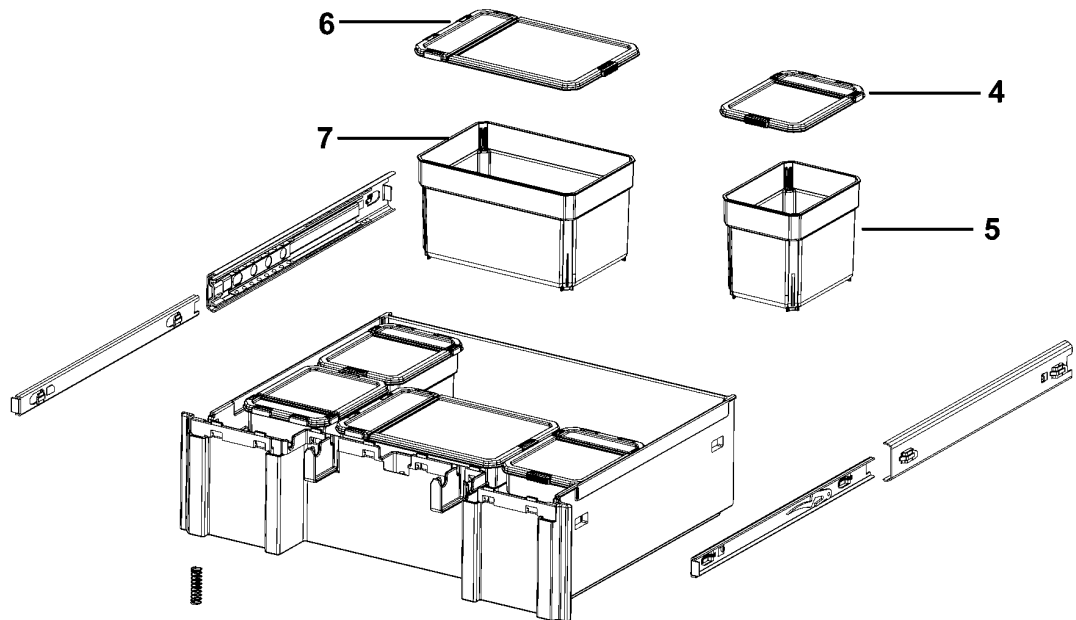
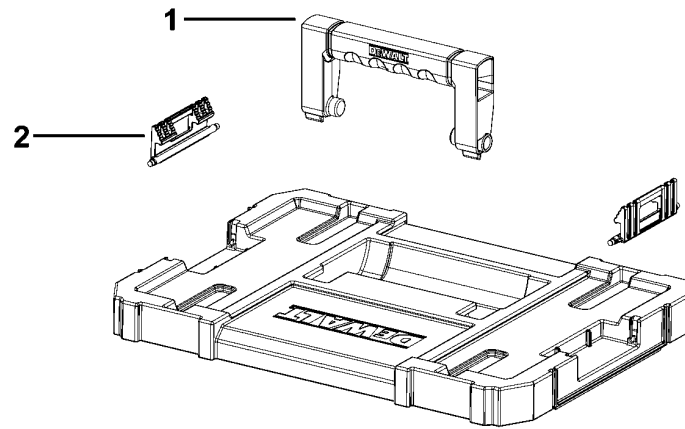


DWST1-70705 WORKBOX 1



Parts List DWST1-70705 WORKBOX 1

Item	Part Number	Qty	Part Description	General Description	Other Info	Repair Inst	Markets
1	H1400196008	1	HANDLE			No	XJ
2	N409477	1	LATCH			No	XJ
4	H1200323	1	COVER			No	XJ
5	H1200317520	1	CUP			No	XJ
6	H1200324	1	COVER			No	XJ
7	H1200318REC	1	CUP	BLACK		No	XJ
11	H2500531001	1	COVER			No	XJ
13	H2500528	2	LEG RIGHT HAND			No	XJ
14	H2500529	2	LEG LEFT HAND			No	XJ